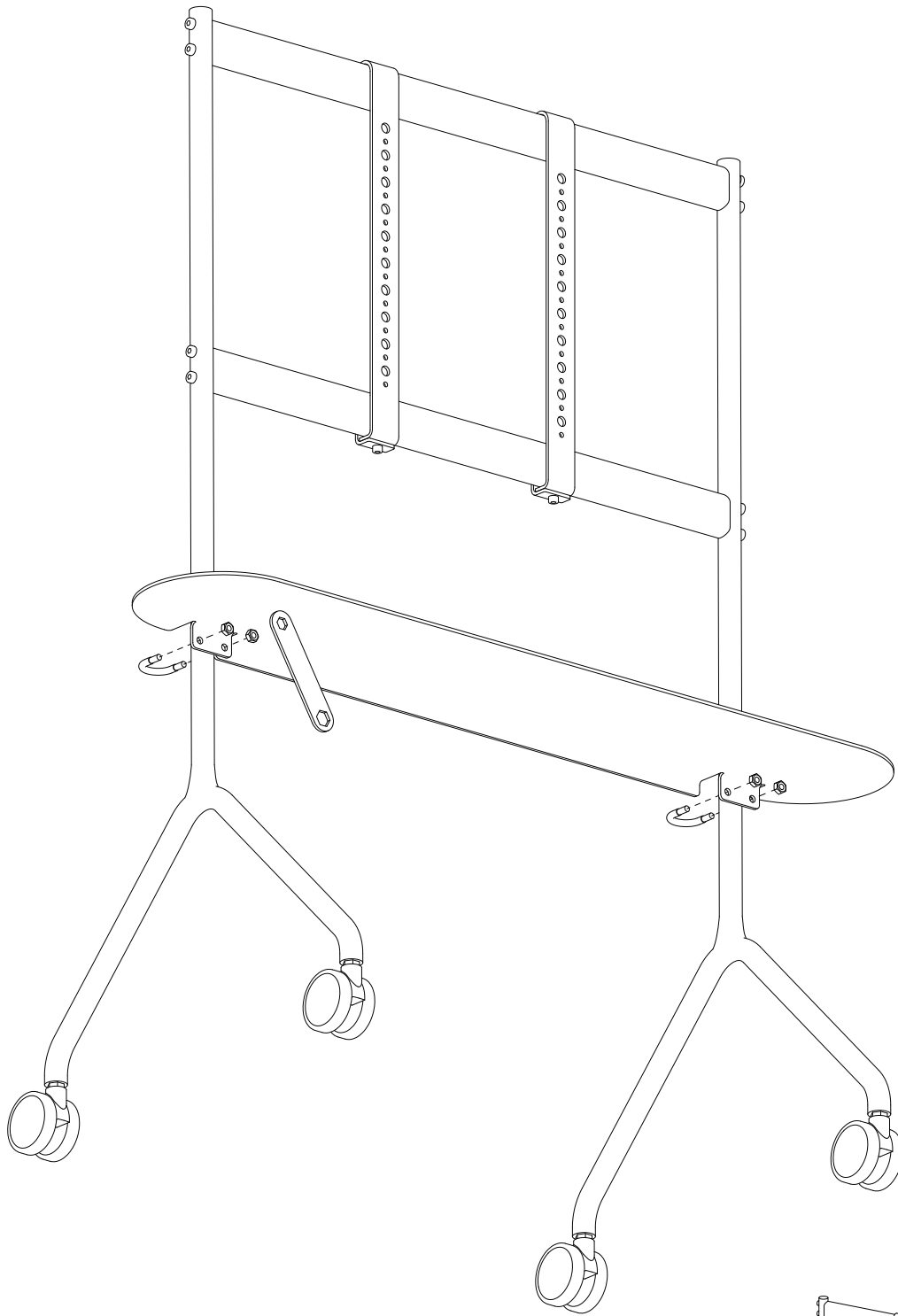


# Moon Light Shelf

Assembly  
Guide

pedestal®

# Moon Light Shelf



## Task

Mount the shelf to the two legs, using the four M6 Nuts, as shown.

## Parts

4 x M6 Nuts

## Hot Tip!

Use a box or a stack of books to align the shelf when installing.

